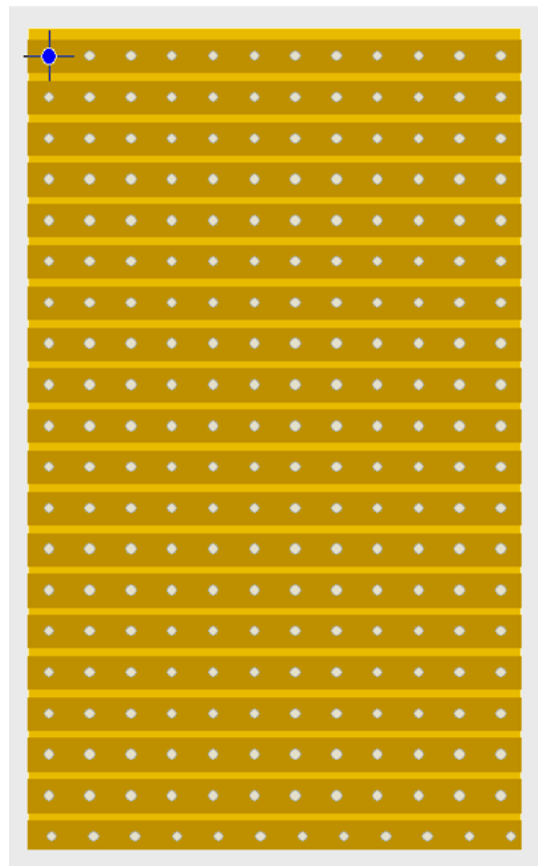
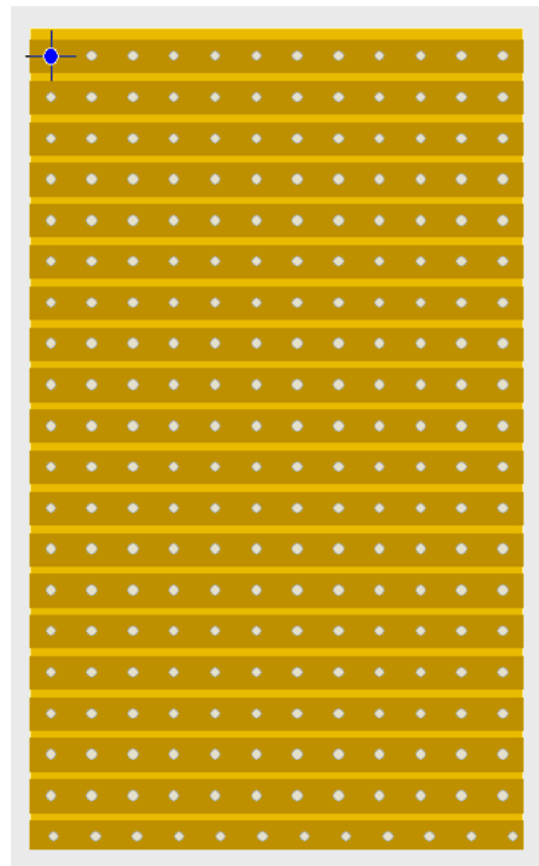
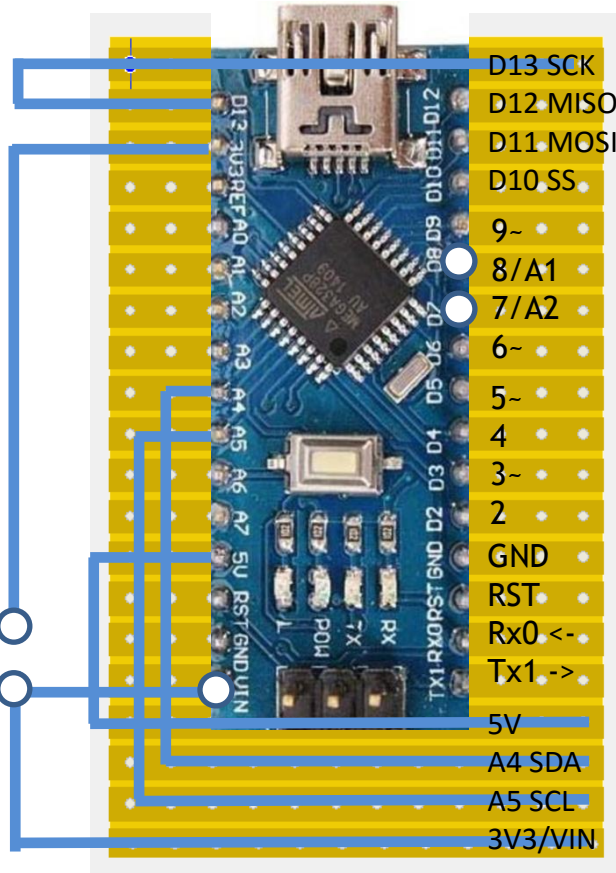
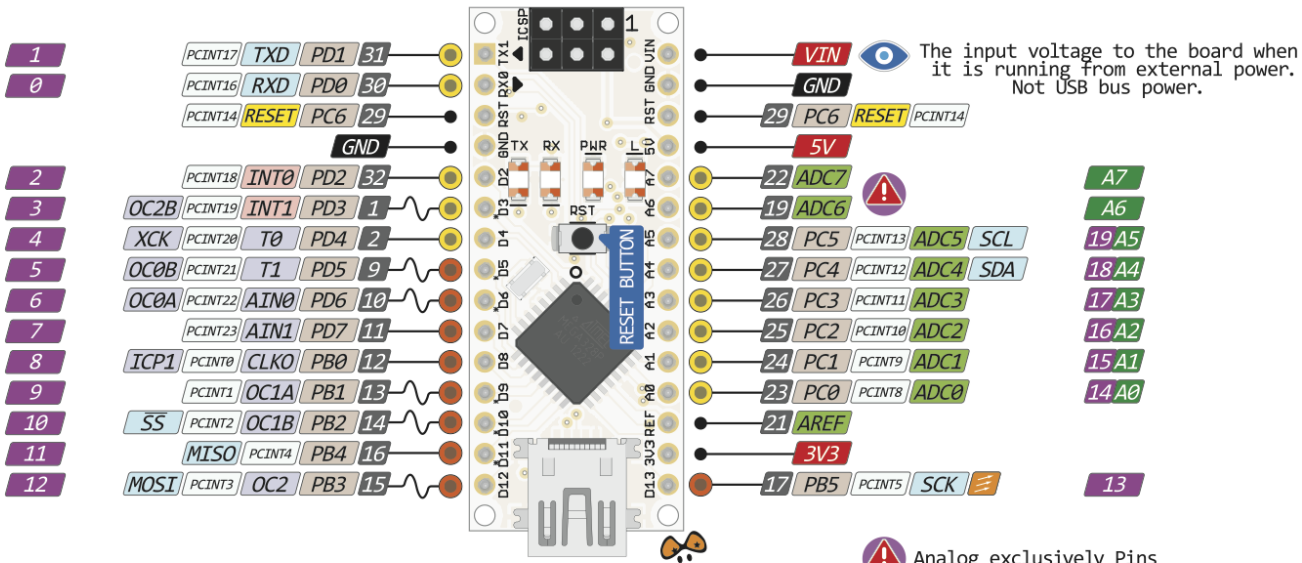
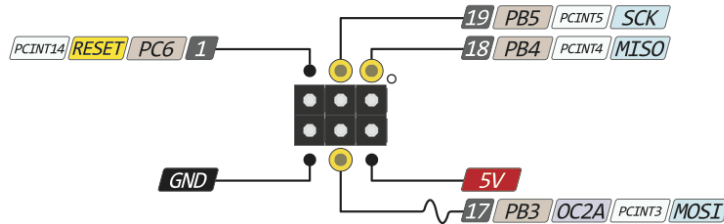


CHAIN Project Documentation



Project _____
Drg Description _____
Revision ____ Date _____
Name _____

NANO PINOUT



- Power
- GND
- Serial Pin
- Analog Pin
- Control
- INT
- Physical Pin
- Port Pin
- Pin function
- Interrupt Pin
- PWM Pin
- Port Power

Absolute MAX per pin 40mA recommended 20mA

Absolute MAX 200mA for entire package

Analog exclusively Pins

The power sum for each pin's group should not exceed 100mA

